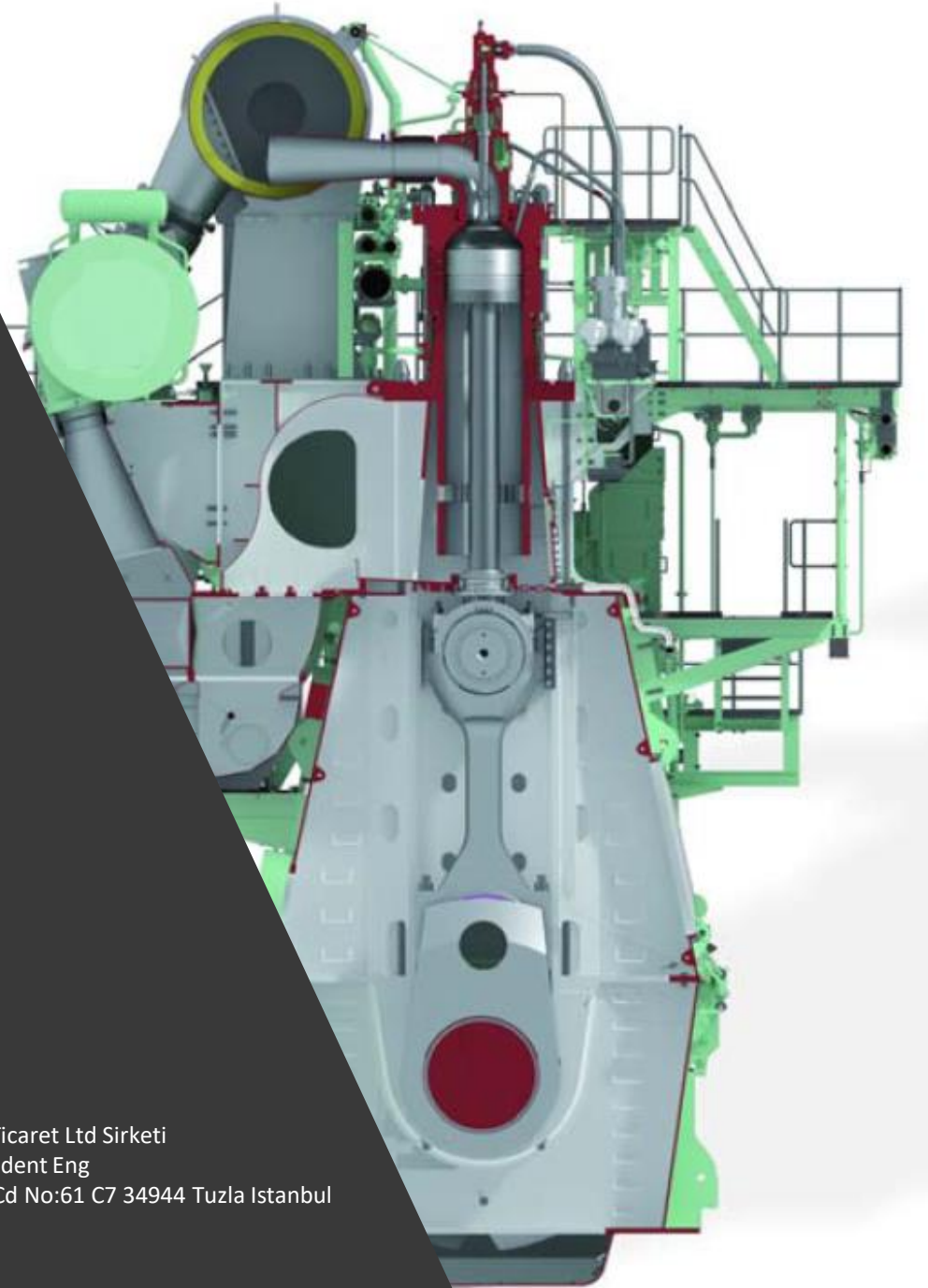




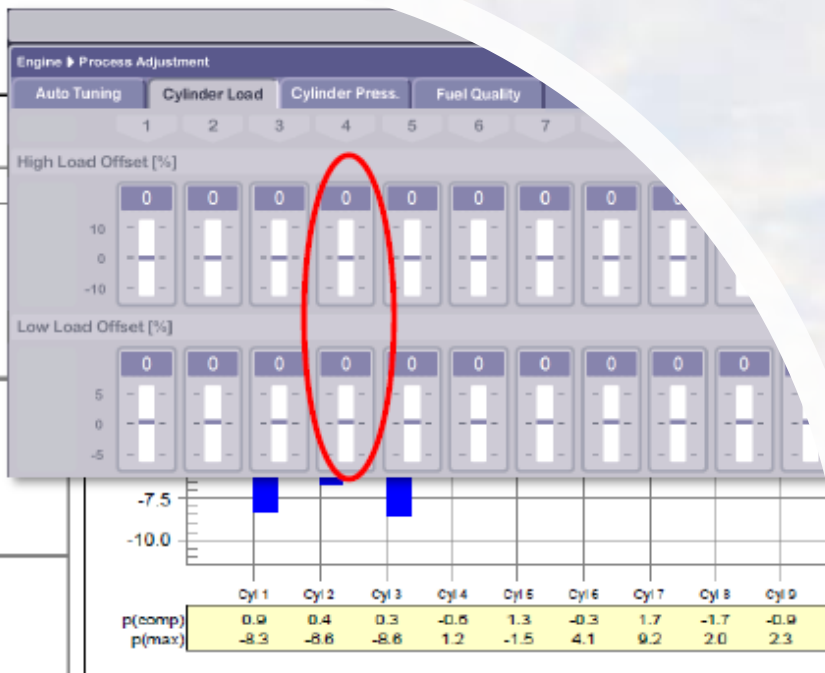
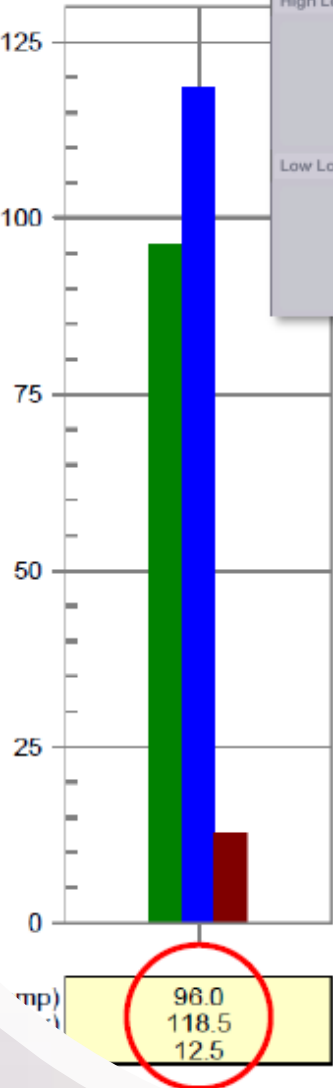
# SOLEMAR

*Keep Running*

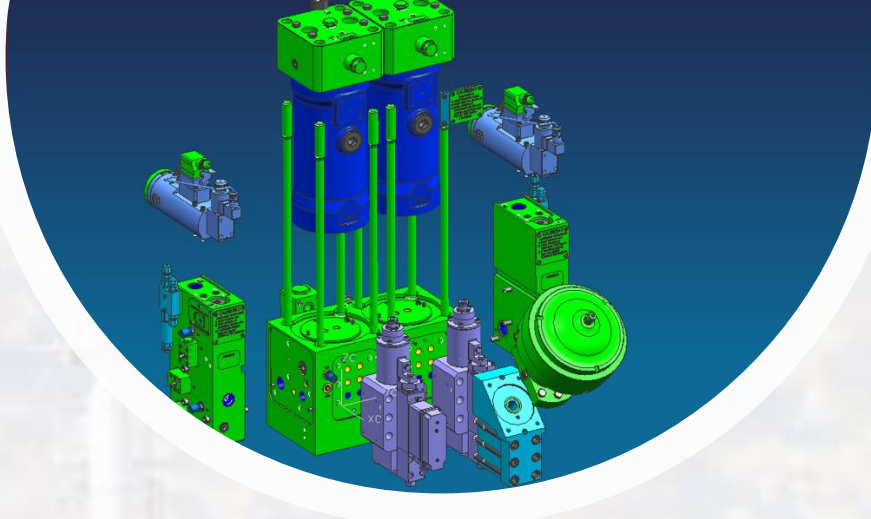
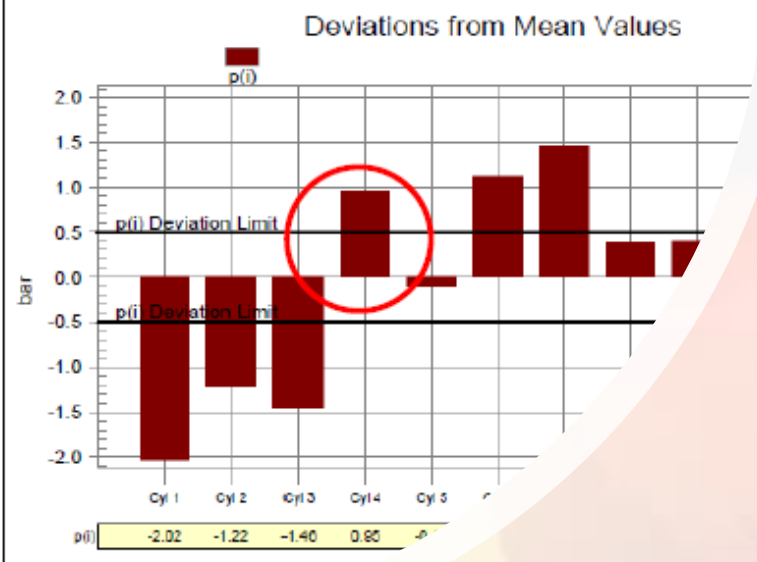
SOLEMAR Denizcilik ve Mühendislik Ticaret Ltd Sirketi  
Onder KIR / Co-Founder / Superintendent Eng  
Adress : Evliya Celebi Mah Hızır Reis Cd No:61 C7 34944 Tuzla Istanbul  
Mobile : +90 533 420 23 20  
Phone : +90 216 266 26 12  
E-mail : [info@sole-mar.com](mailto:info@sole-mar.com)  
Web : [www.sole-mar.com](http://www.sole-mar.com)



## Mean Values



	Cyl 1	Cyl 2	Cyl 3	Cyl 4	Cyl 5	Cyl 6	Cyl 7	Cyl 8	Cyl 9	Cyl 10
p(comp)	0.9	0.4	0.3	-0.5	1.3	-0.3	1.7	-1.7	-0.9	-1
p(max)	-8.3	-8.8	-8.8	1.2	-1.5	4.1	9.2	2.0	2.3	5



## ELECTRONICALLY CONTROLLED ENGINE (ME-C / ME-B)

- ENGINE OVERALL CONDITION HEALTH CHECK & FUNCTION TEST
- FIVA / ELFI VALVE MAINTENANCE & CALIBRATION CHK ON BOARD
- ACCUMULATOR MAINTENANCE ON BOARD
- ECS SPAF PARAMETERS HANDLING
- HPS & HCU SYSTEM HEALTH CHECK DATA EVOLUTION BY LDE PLOT
- GENERAL CABLING & CONTROL PANEL SYSTEM CHECK'S
- COCOS EDS PMI DATA'S EVALUATION AND ADJUSTMENT
- CYLINDER LUBRICATOR MAINTENANCE & HEALTH CHECK
- ENGINE PNEUMATIC MANEUVERING SYSTEM MAINTENANCE & TROUBLESHOOTING
- SUPERVISION OF ALL KIND OF MECHANICAL MAINTENANCE FOR ME ENGINE'S

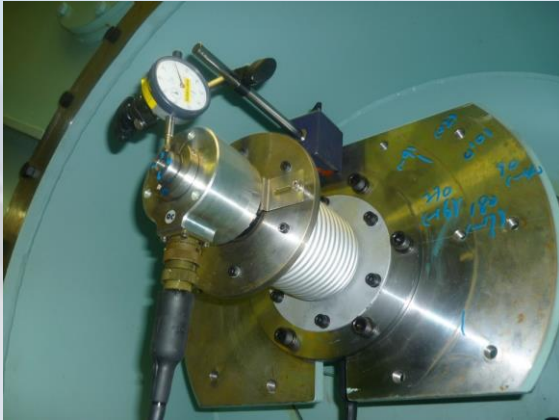
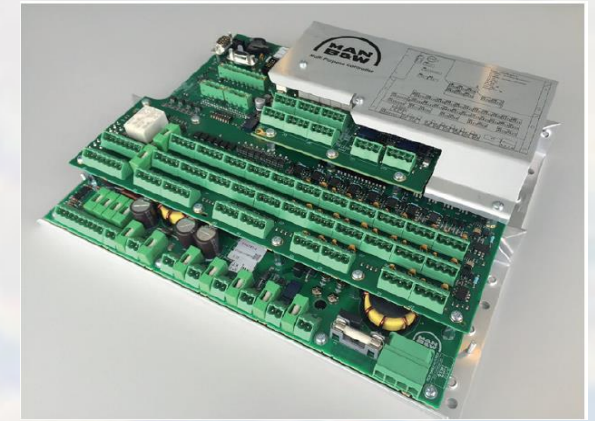






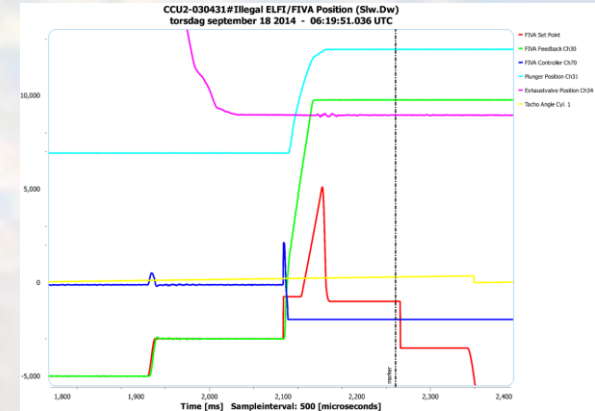
- FIVA MAINTENANCE
- TORUBLE SHOOTING
- SENSOR CALIBRATION CHECK

- MPC TROUBLESHOOTING
- REPLACEMENT
- EXTERNAL CONNECTION AND FUNCTIONAL TESTS



- COMPLETE TACHO TROUBLE SHOOTING
- REPLACEMENT
- SYSTEM CHECKS
- SPARE PART SUPPLY

- HCU EVENTS READING
- FIND ROOT CAUSE SMOOTHLY BY REMOTE ASSISTANCE



- HCU HYDRAULIC ACTUATOR MAINTENANCE
- SEALING REPLACEMENT
- COMPONENT EVALUATIONS
- CONFIRMED BY FUNCTION TEST

- FOR MC / MC-C ENGINE
- ALPHA LUBRICATOR MCU BCU REPLACEMENT
- SOFTWARE CHECK
- ALPHA LUB MECHANICAL AND ELECTRICAL UPGRADE



# SUPERVISION SERVICE

## PREDOCKING INSPECTION

- Overview of engine condition before drydock (Scavenge port inspection , crankcase inspection etc. )
- Full written condition report with taken measurements
- List of work plan as per vessel PMS system
- Recommended work scope during drydock
- Optimised planning according to maintenance schedule
- Required spare part list preparation before drydock
- Engine Performance data collection for evaluation
- Running hours evaluation as per service life of engine components

## DRYDOCK ASSISTANCE

### Close up Inspection

- Piston components
- Bearing condition
- Cylinder liner
- Fuel pump & Exh valve
- Fuel pump & Exh timing
- Alpha Lubricator Maintenance
- Pneumatic System Maintenance

### Visual Inspections

- Chain drive
- Camshaft drive
- Scav & Gas Receiver Insp.
- WMC & Aux blower Inspection
- Top Bracing checks
- Holding Down bolt & Stay Bolts
- Engine Aux equipment Insp.